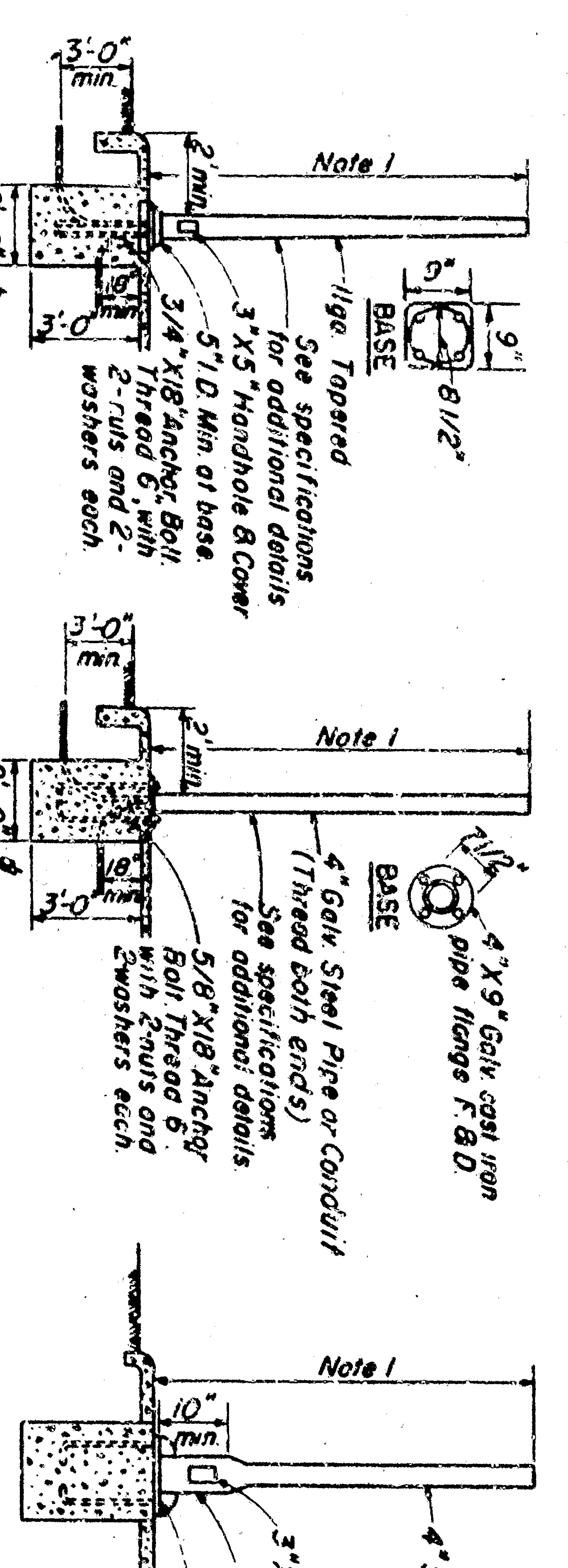
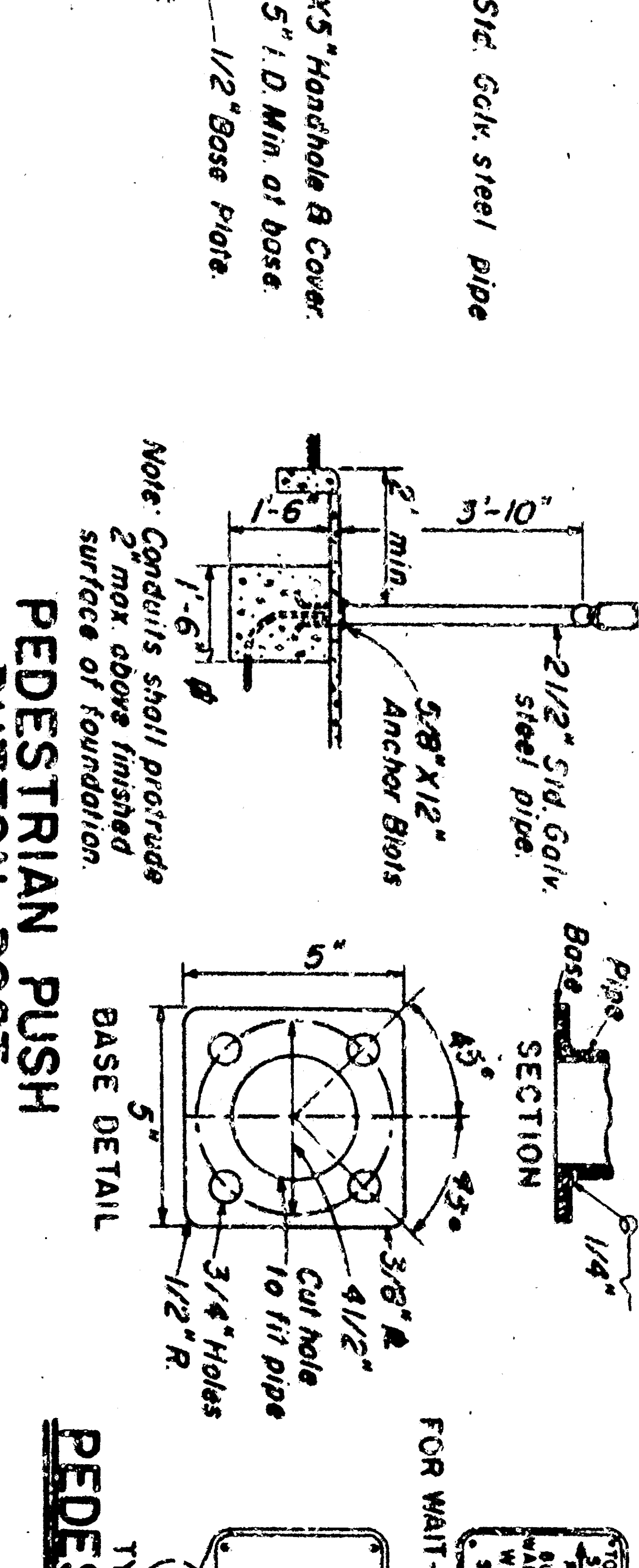


DATE	BY	REVISION	NO.

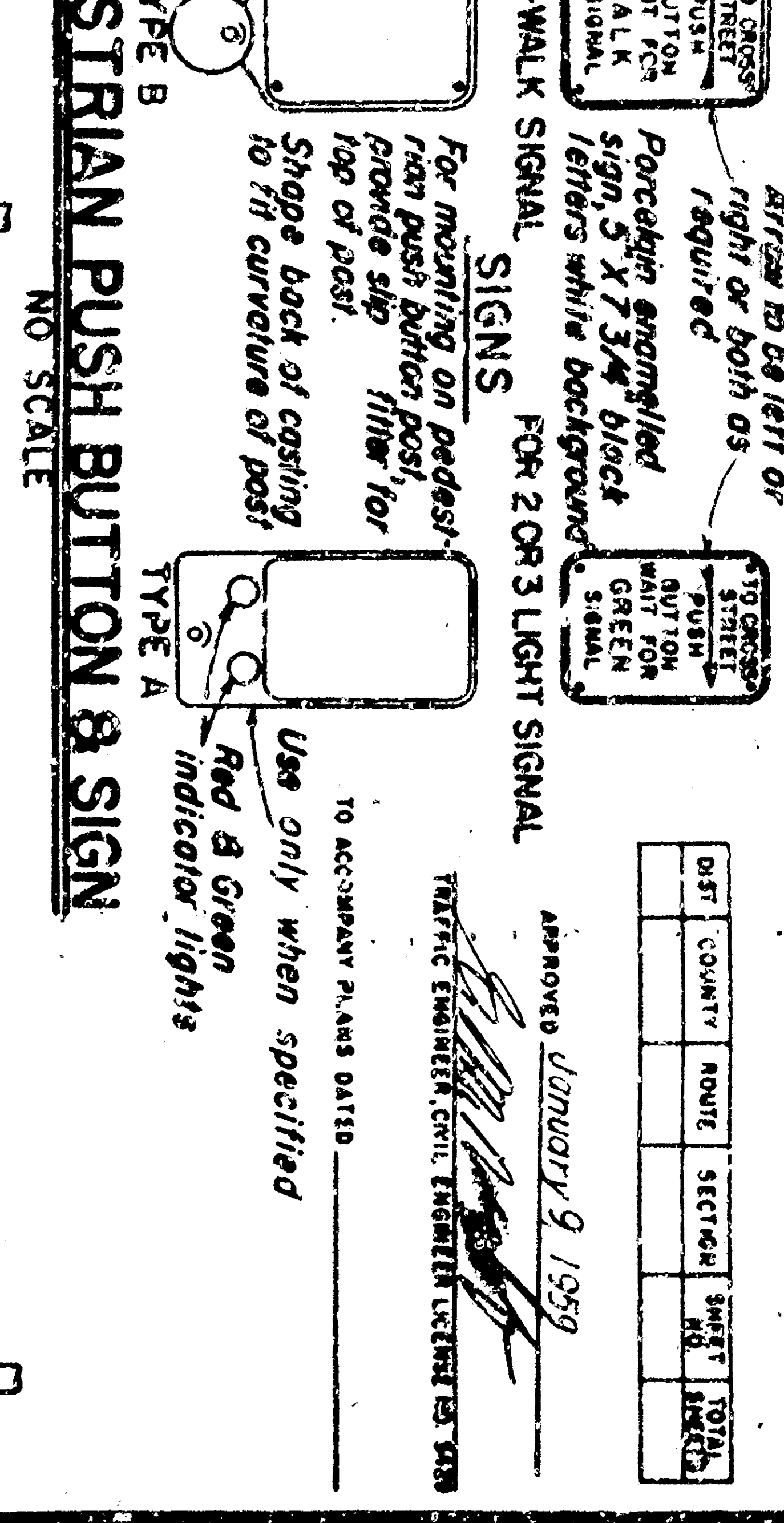
APPROVED JANUARY 9 1959  
 TRAFFIC ENGINEER, CALIFORNIA DEPARTMENT OF PUBLIC WORKS



**TYPE I-A STANDARD**  
 NO SCALE



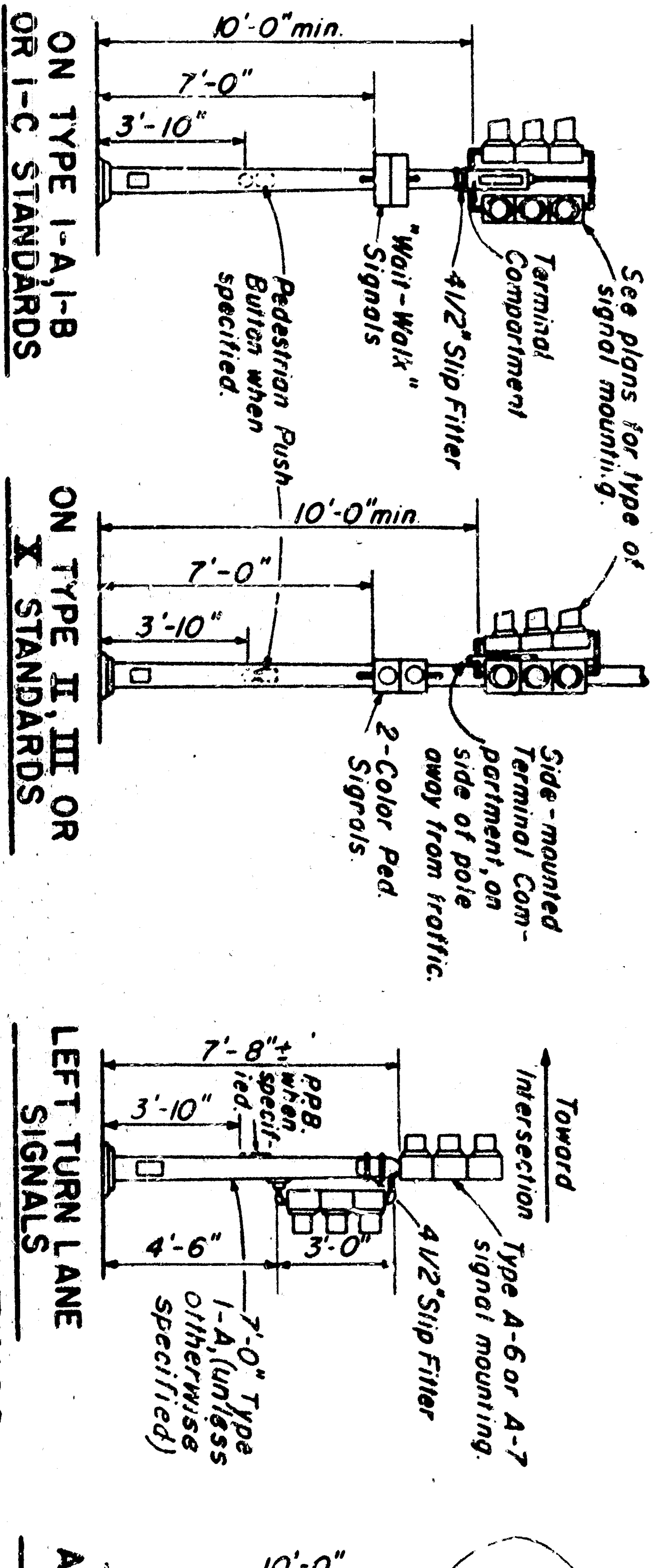
**TYPE I-B STANDARD**  
 NO SCALE



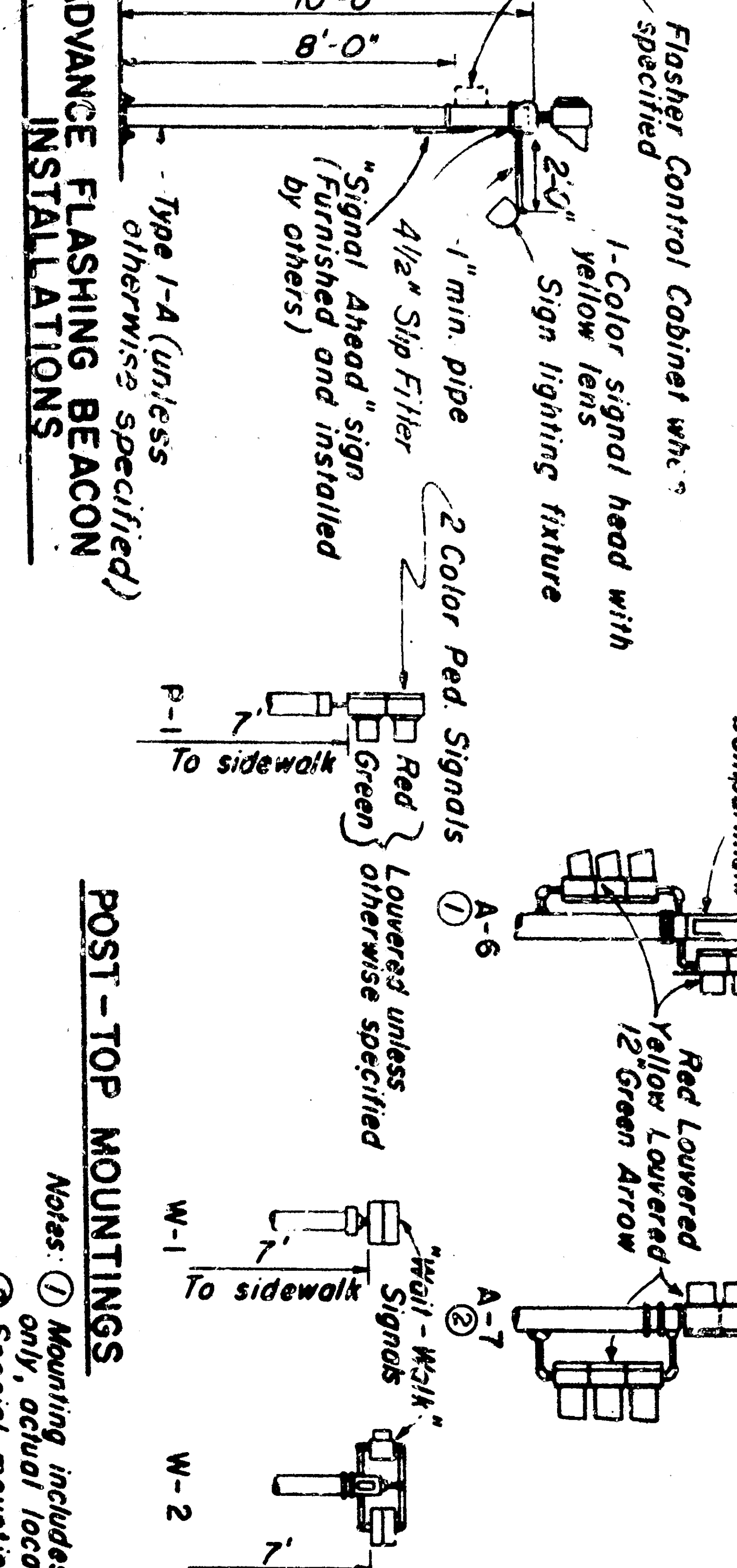
**TYPE I-C STANDARD**  
 NO SCALE

**Notes:**  
 1. Standards shall be 10'-0" minimum for vehicular signals and 7'-0" minimum for pedestrian signals and left-turn vehicular signals.  
 2. See plans for type of signal mounting.  
 3. Top of standard shall be 4 1/2" O.D.  
 4. Conduits shall extend 2" max. above finished surface of foundation and, for types I-A, I-B, I-C Standards shall be sloped toward handhole.  
 5. One Anchor Bolt shall be bonded to conduit.

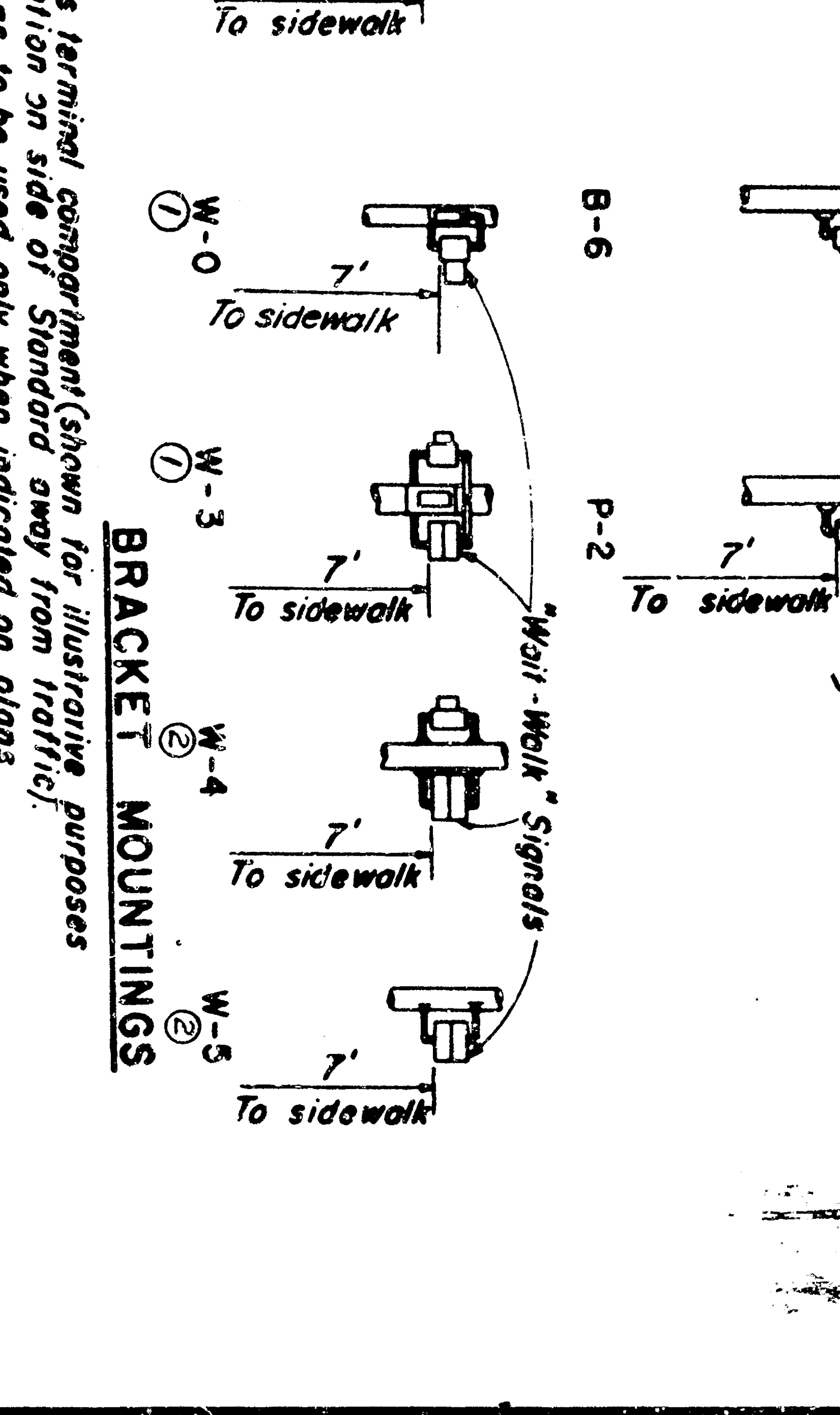
**SIGNAL STANDARDS**  
 NO SCALE



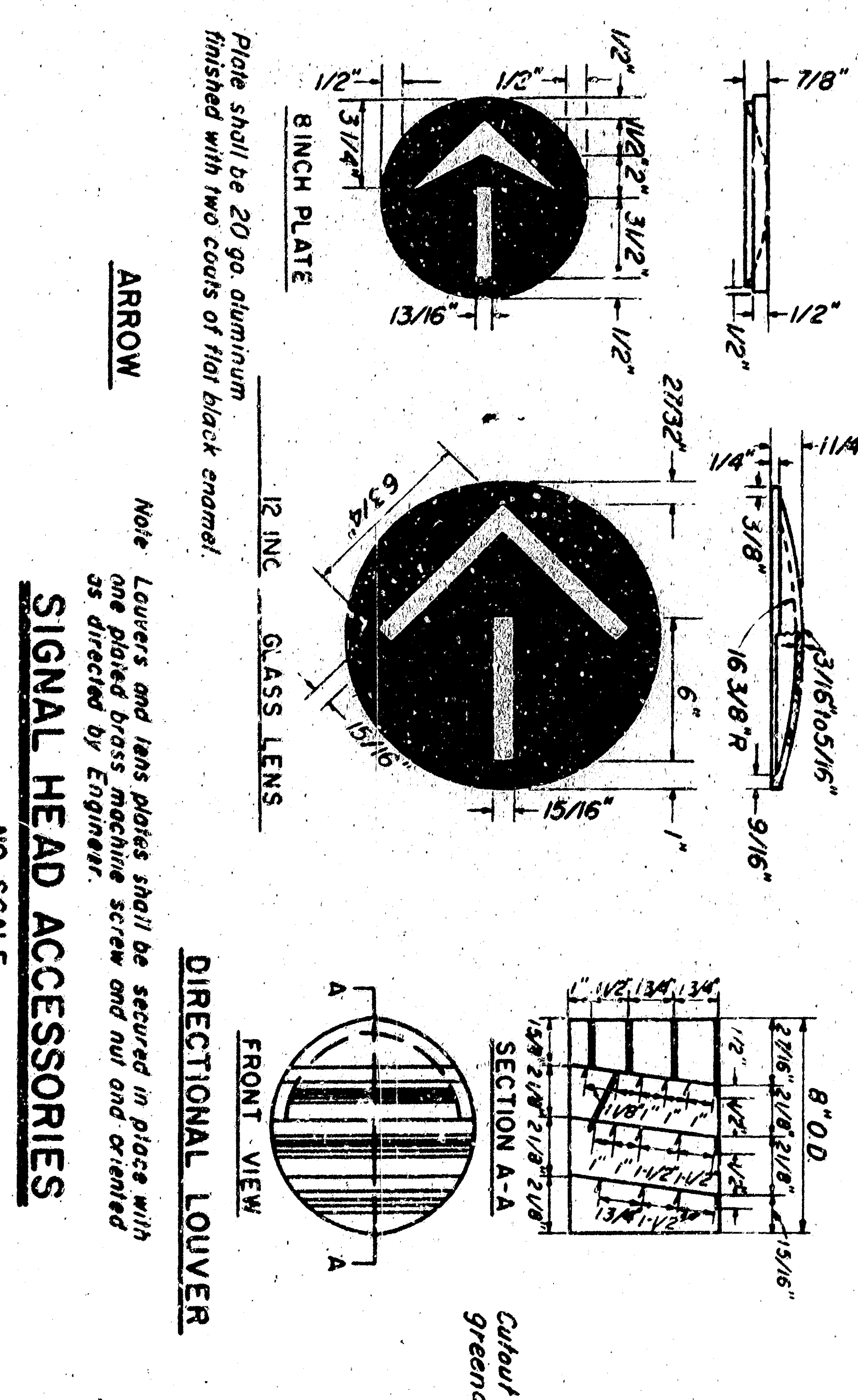
**ON TYPE II OR III OR I STANDARDS**  
 NO SCALE



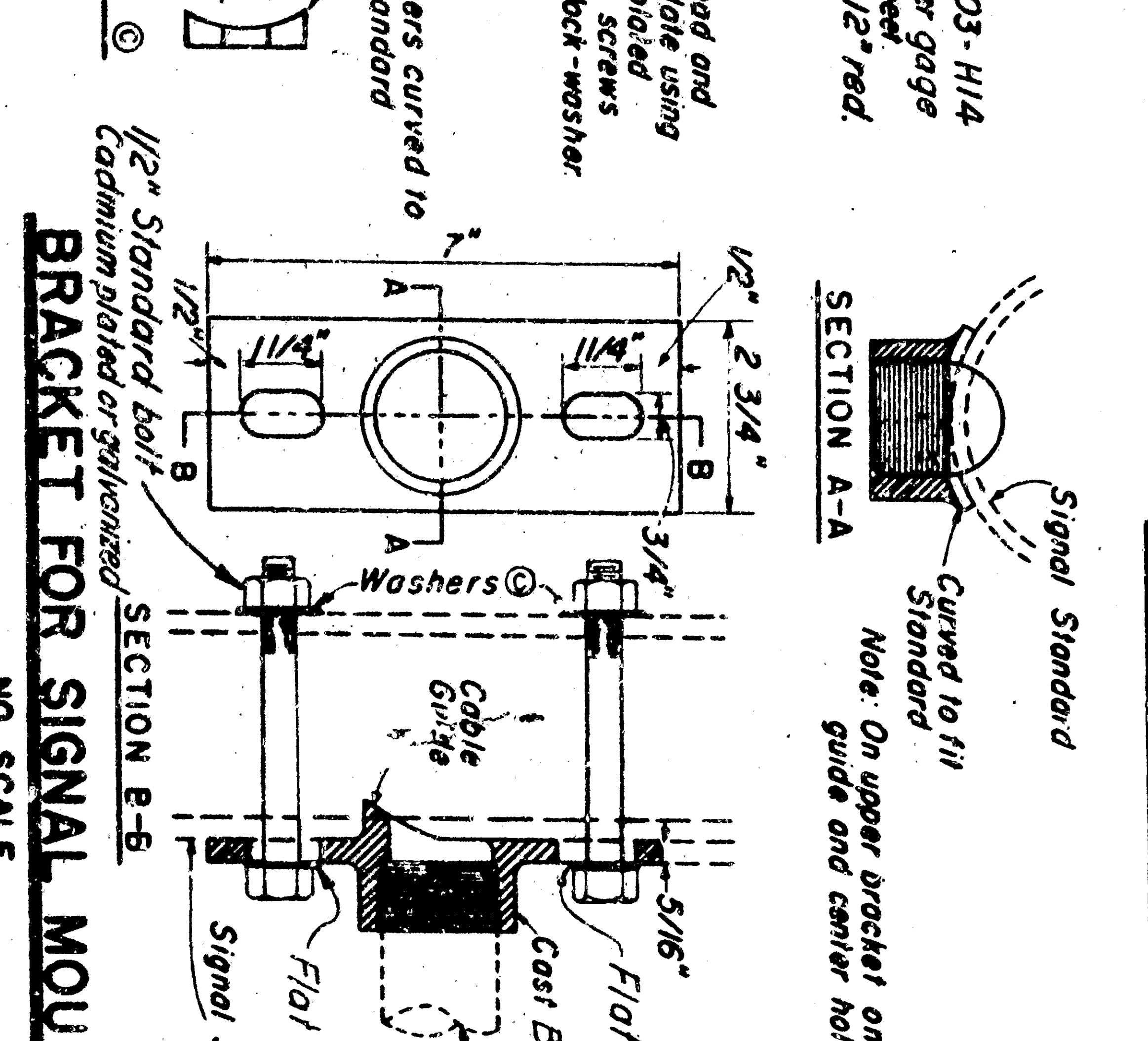
**LEFT TURN LANE SIGNALS**  
 NO SCALE



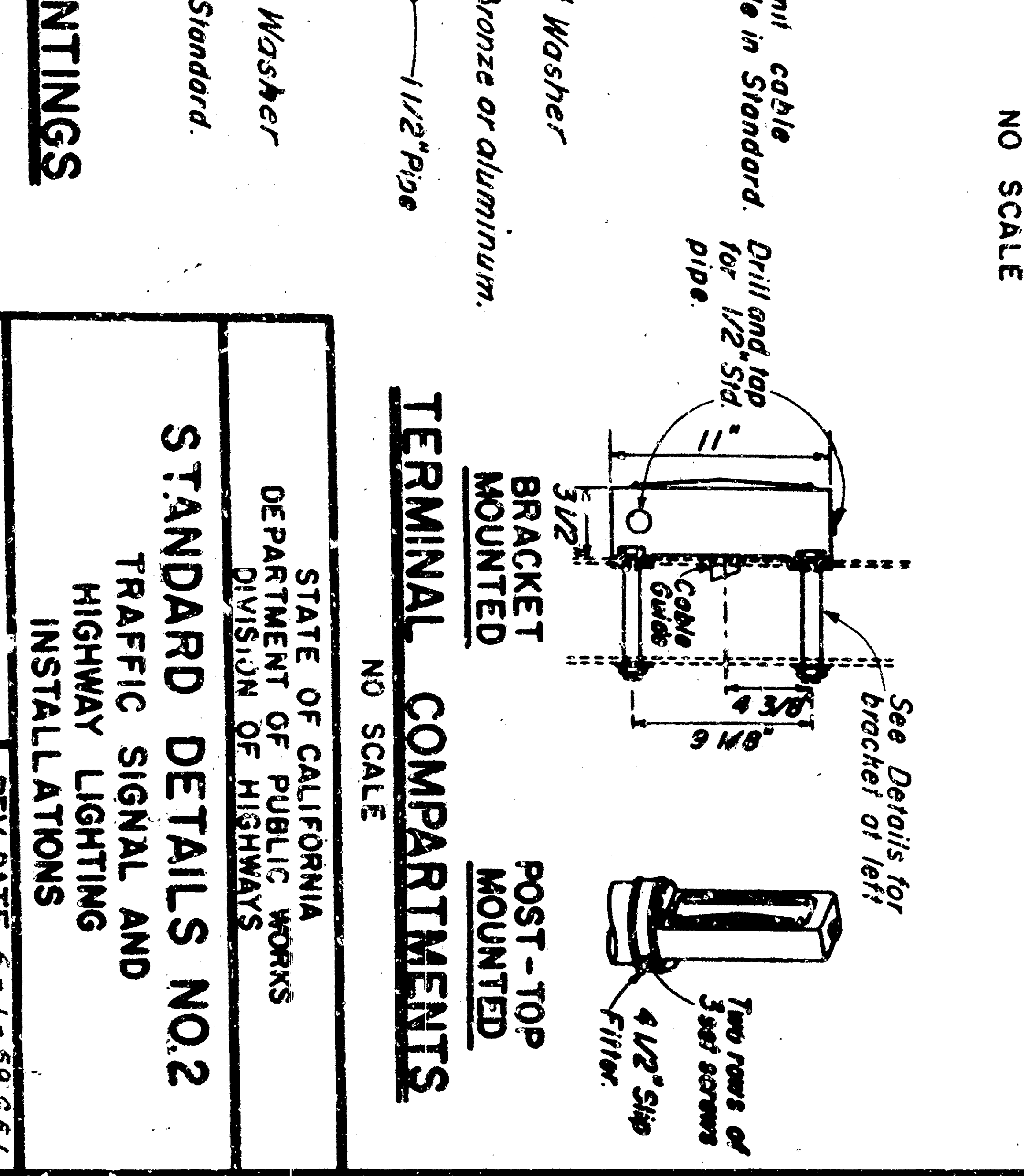
**ADVANCE FLASHING BEACON INSTALLATIONS**  
 NO SCALE



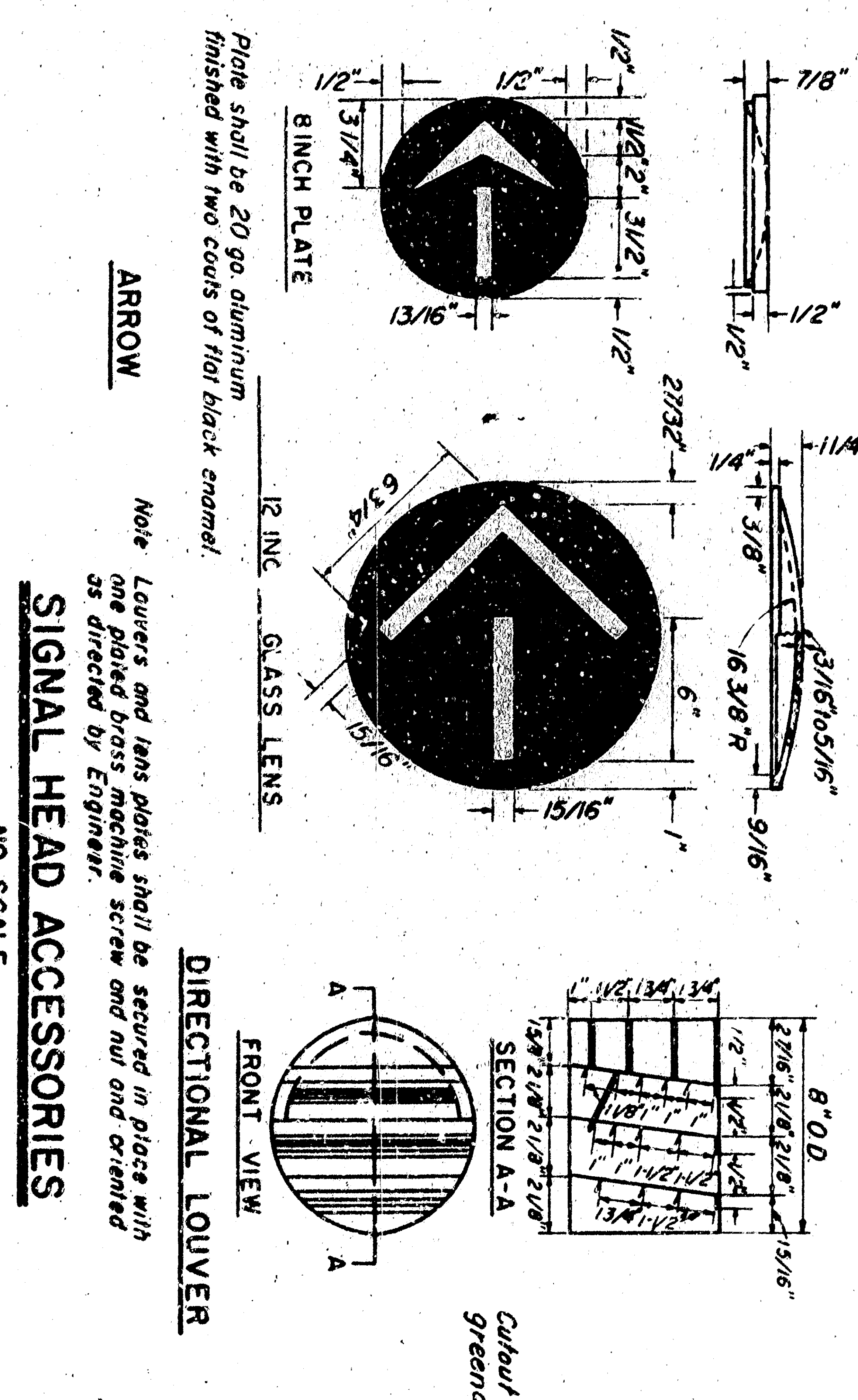
**TYPICAL EQUIPMENT MOUNTINGS**  
 NO SCALE



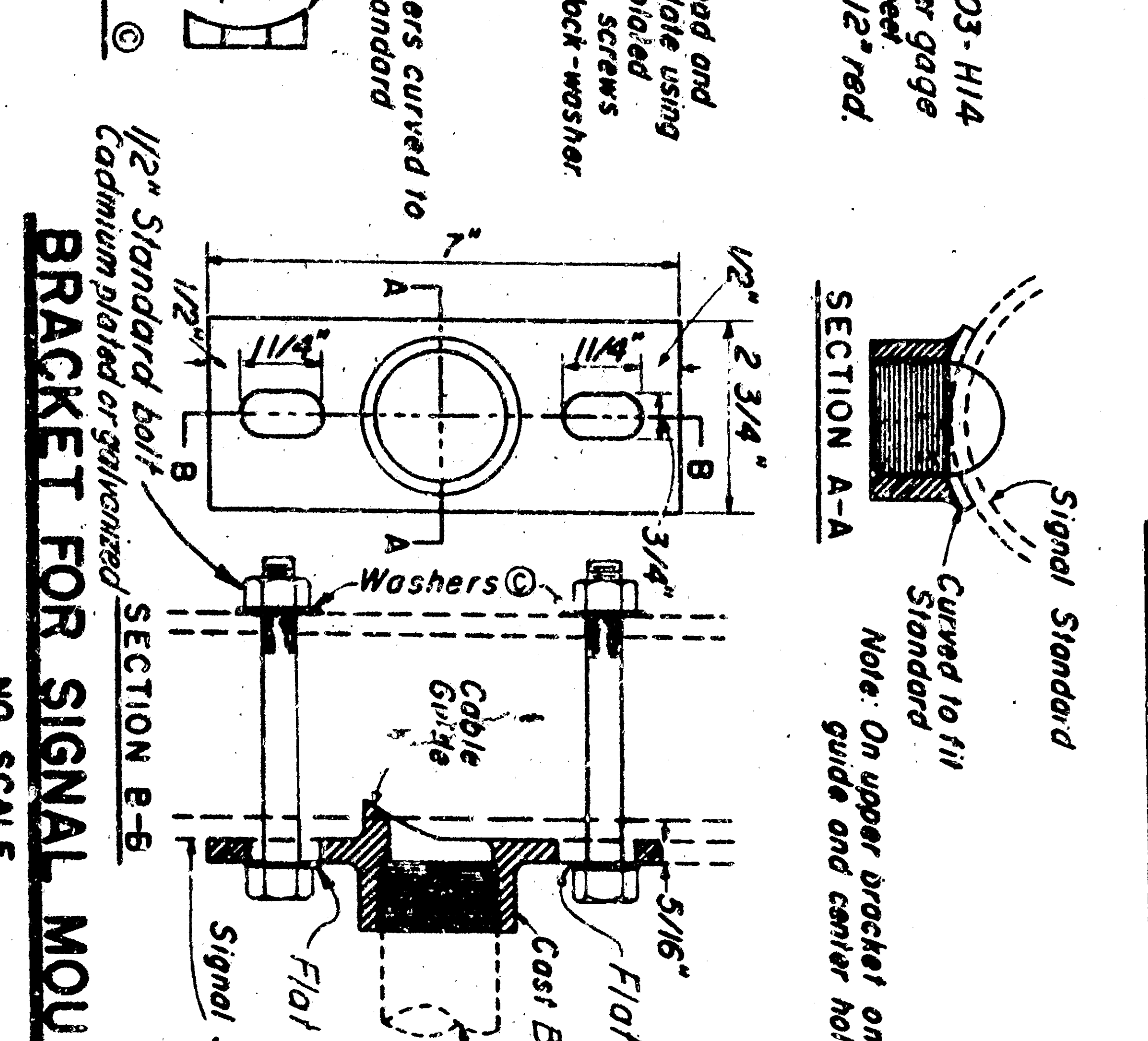
**POST-TOP MOUNTINGS**  
 NO SCALE



**VEHICULAR AND PEDESTRIAN SIGNAL MOUNTINGS**  
 NO SCALE

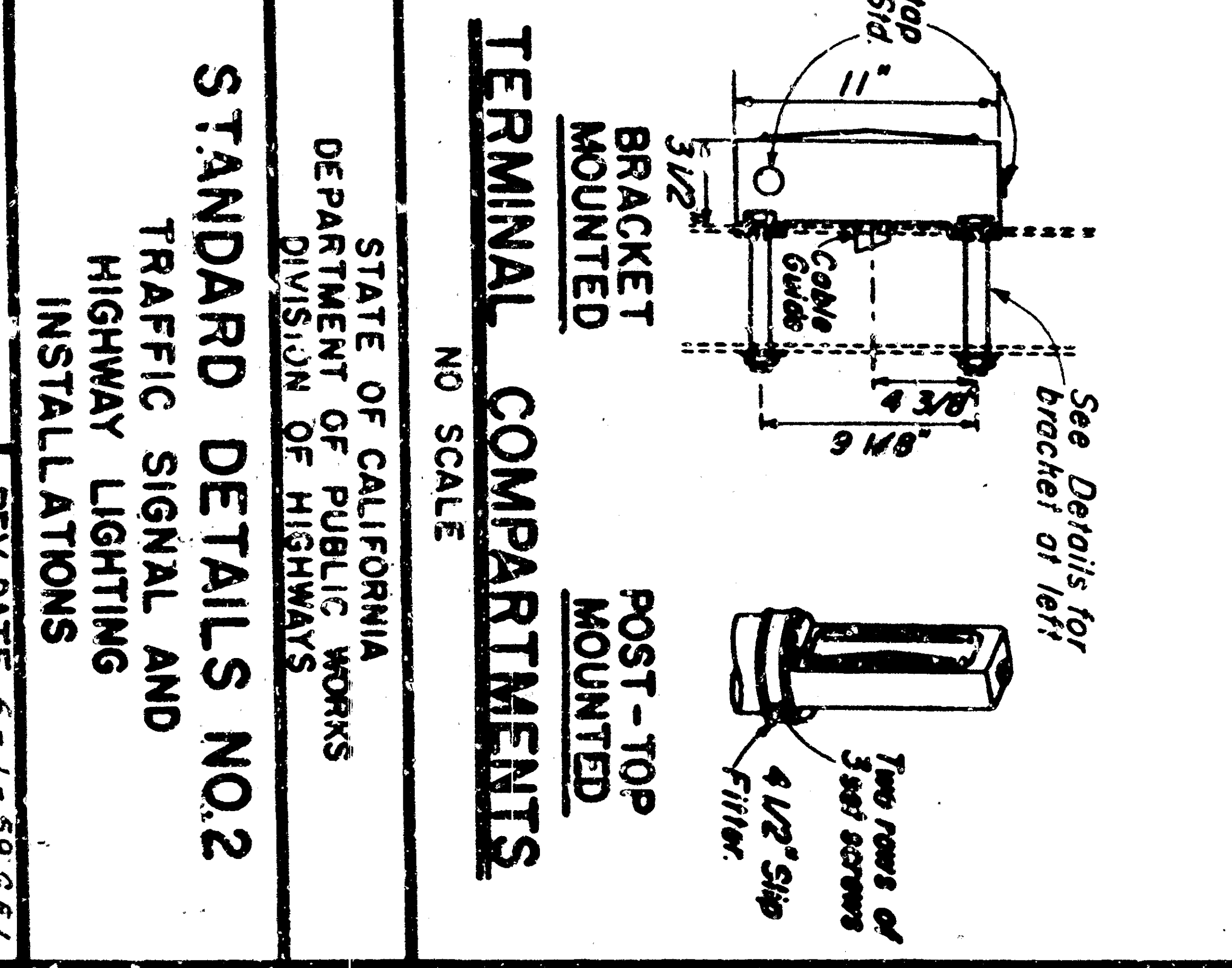


**SIGNAL HEAD ACCESSORIES**  
 NO SCALE



**BRACKET FOR SIGNAL MOUNTINGS**  
 NO SCALE

**TERMINAL COMPARTMENTS**  
 NO SCALE



**STANDARD DETAILS NO. 2**  
 TRAFFIC SIGNAL AND HIGHWAY LIGHTING INSTALLATIONS  
 SCALE AS NOTED  
 REV. DATE 5-7-58 G.E.A.  
 DRAWING NO. E-1